

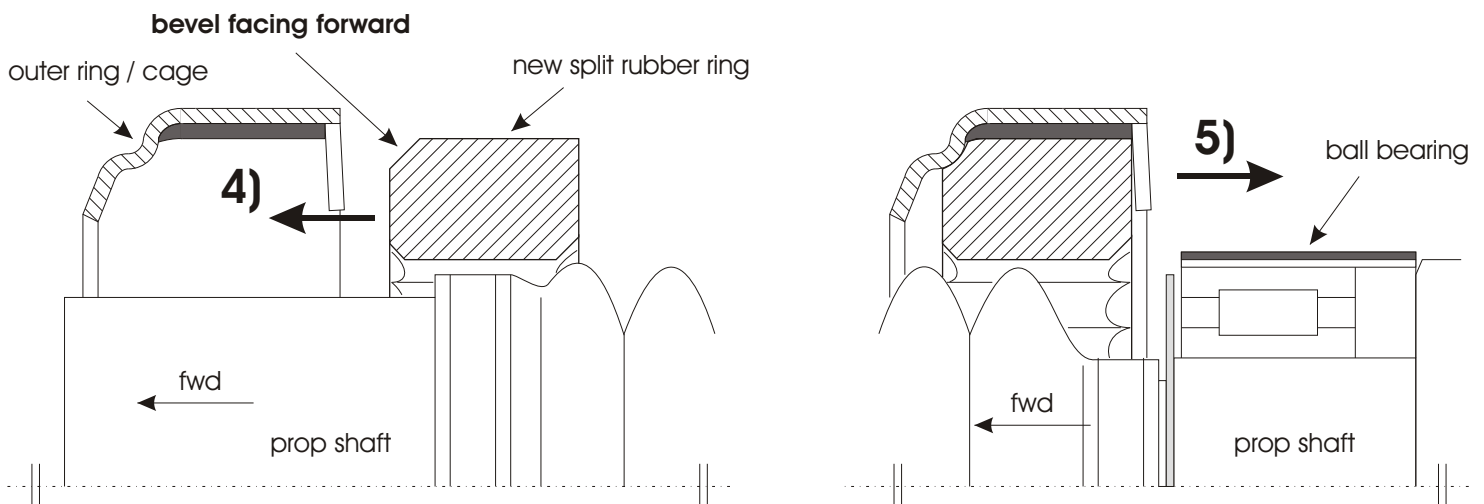
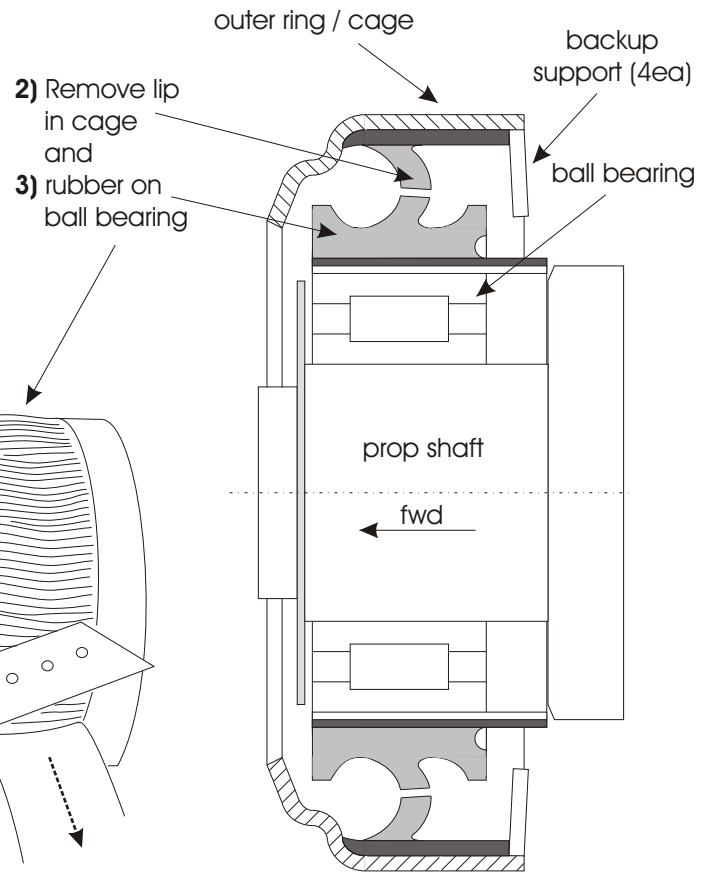
Cayenne 92A / Touareg 7P (BJ 05/2010-2017) - Repair of a Worn Rubber Bearing of the Propeller Shaft Center Support Mount without Removal of the Shaft

1) Remove and keep stiffener bracket next to the center mount, 6 bolts M10, to gain room for working the cage. Loosen 2 bolts XZN M8 of center support mount.

2) Remove the lip in the outer ring/cage.
The 2-3mm rubber layer is kept as is to ensure the repair kit fits with correct tension.
Use a sharp blade tip to cut off the lip step by step. This approach is suitable to work behind the 4ea backup supports as well. No need to smoothen the surface.

3) Remove/cut off rubber from ball bearing.
The final diameter shall meet the dimension of the rear part of the bearing.
Start by cutting off some wedges. It is highly recommended to work front to back, to prevent the cuff from being damaged inadvertently! Now the whole block may be peeled off with about 1mm rubber layer remaining on the outer bearing surface. The repair compensates for any unevenness.

4) Insert the new split rubber ring into the cage.
Opening on top! Bevel facing forward!
In front of the cuff: It starts with one end on top of the cage. Then the ring is put circumferentially behind the 4ea backup supports and aligned with the cage backside. If it does not slip over the cuff, check seating, rework of the cage to remove all remains of the lip may be required (see 2)



5) Move/pull the whole assy over the roller bearing. Align and re-attached preferably tension free (2 bolts M8, 20Nm torque). Finally re-install stiffener bracket (6 bolts M10, torque to 60Nm).

Accomplishment of this alternative repair is on the risk of the car owner who bears liability for any kind of consequence. If any noise or vibration is evident after installation there may be other root causes, for example: a worn front flex disc, a shaft unbalance, a damaged ball bearing or a worn CV-joint. **Accordingly vibration and/or noise are no reasons for claiming warranty after accomplishment of the repair.**

Material: rubber unit (Platinum-Silicone -60°C to 200°C), **No toy, not for Children!**

Tools: knife, torque wrench, sockets M10, XZN M8